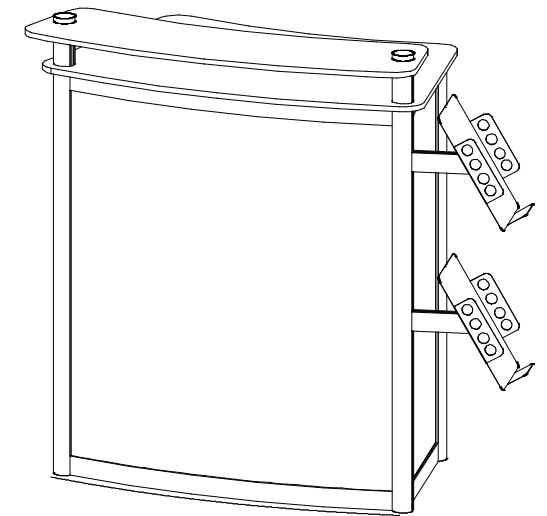


Steps:

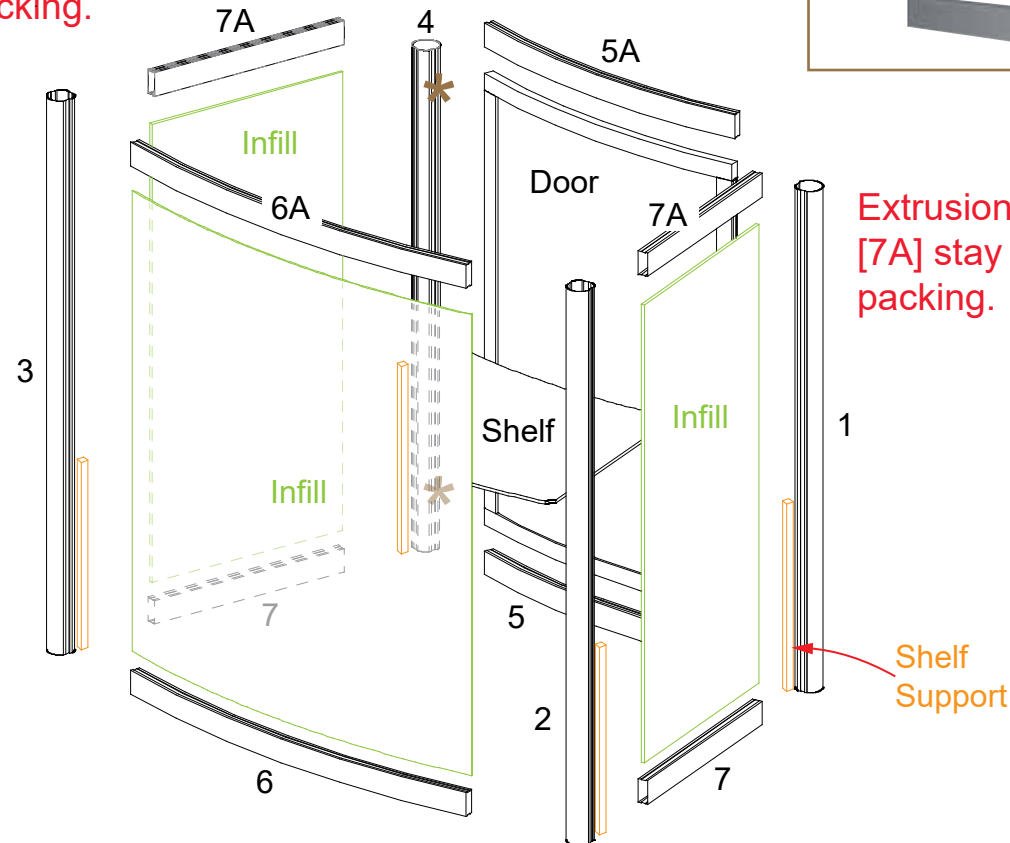
- 1) Assemble back panel by connecting verticals [1] and [4] with horizontals [5] and [5A].
- 2) Assemble front panel by connecting verticals [2] and [3] to curved horizontals [6] and [6A], placing **infill** between, making sure Velcro faces inside counter.
- 3) Connect front and back panels together with horizontals [7] and [7A], placing **infill** between.
- 4) Attach **shelf supports** to Velcro inside infills, then place shelf on top.
- 5) Connect door to vertical [3]. See **Door Connection** detail.
- 6) Slide counter top over verticals [2] and [3]. See **Counter Top Lock** detail.
- 7) Attach plex counter to verticals [2] and [3], using screw caps.
- 8) Attach literature holders to vertical [2]. See **Literature Holder Attachment** detail.

Item	Qty.	Description
1	1	38" RSG560 Vertical Extrusion w/ Door Stop
2	1	42" RSG530 Vertical Extrusion
3	1	42" RSG530 Vertical Extrusion
4	1	38" RSG560 Vertical Extrusion w/ S44
5,5A	1,1	41.5" Z45 Curved Horizontal Extrusion
6,6A	1,1	41.5" Z45 Curved Horizontal Extrusion
7,7A	2,2	16" Z45 Horizontal Extrusion



Completed Assembly

Extrusions [3] [4] [7] and [7A] stay assembled for packing.

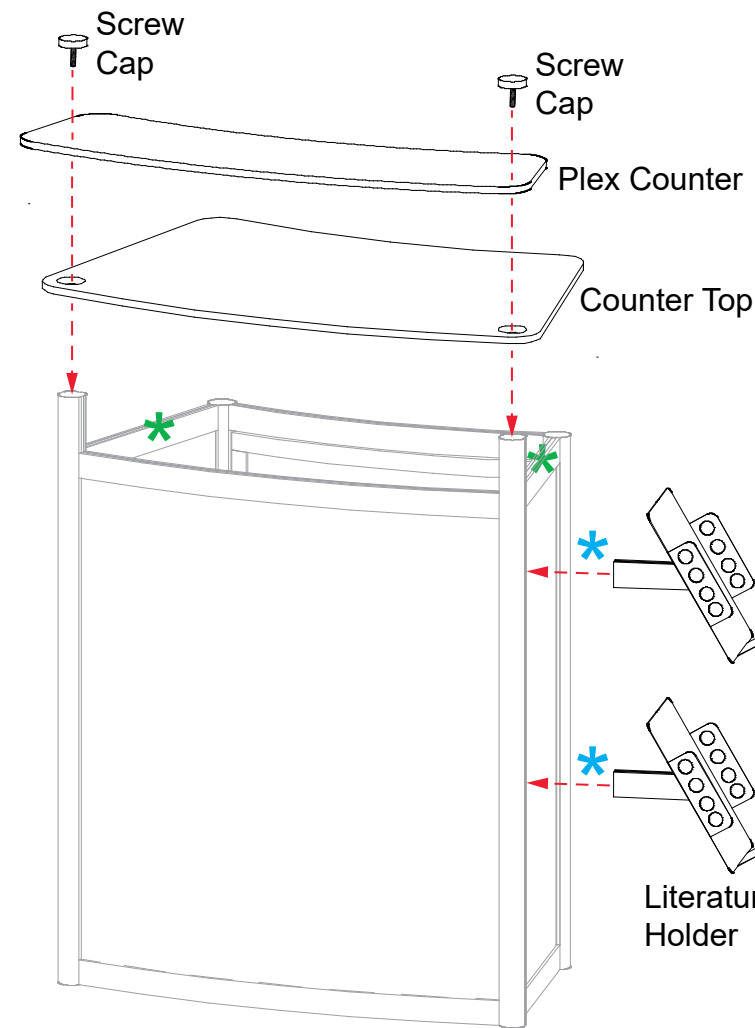


\* Door Connection

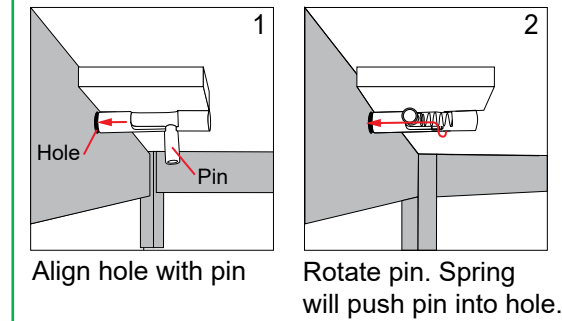
Slide pin into hinge attached to vertical. Slide door hinge over pin.



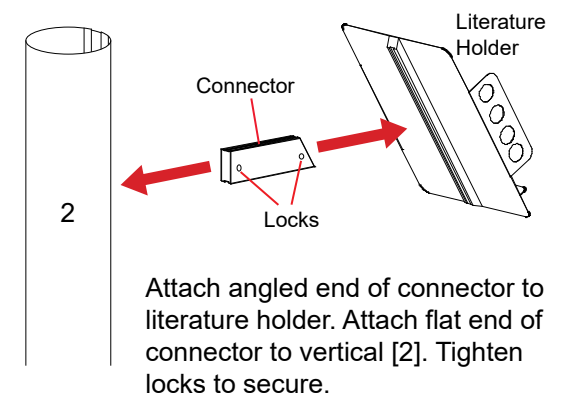
Extrusions [1] [2] [7] and [7A] stay assembled for packing.



\* Counter Top Lock

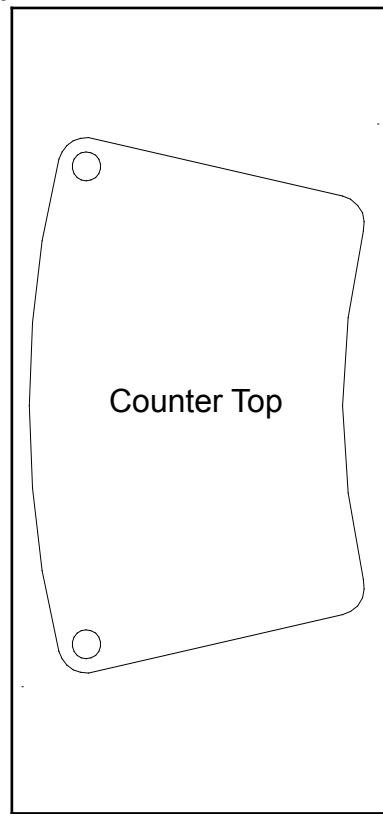


\* Literature Holder Attachment

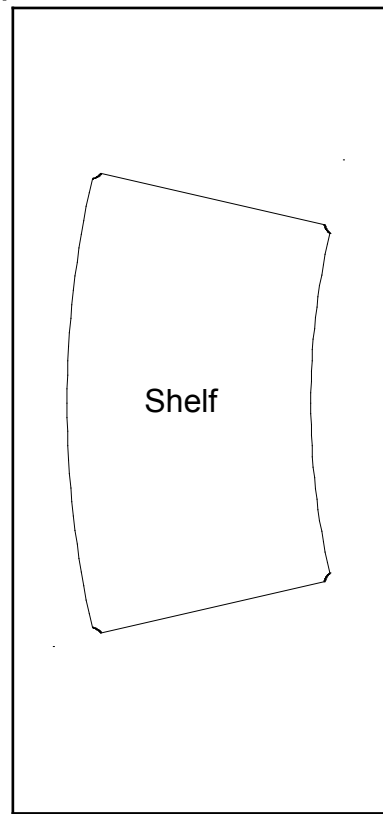


# SETUP INSTRUCTIONS

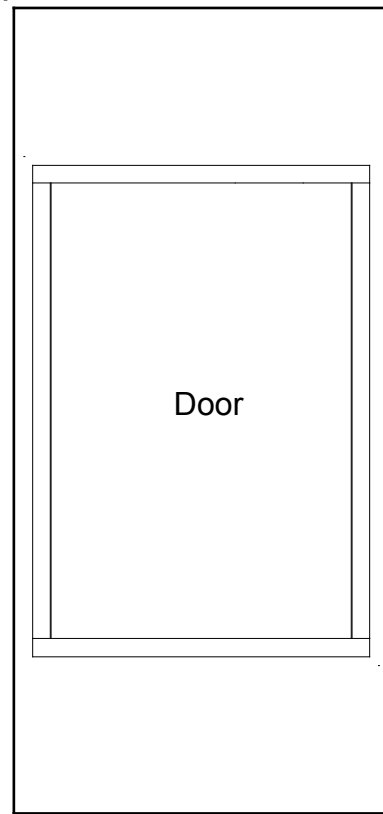
### Top View of Each Level



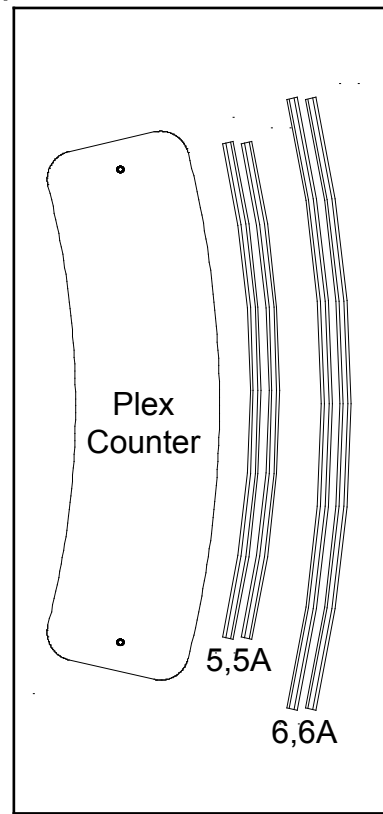
Level 1



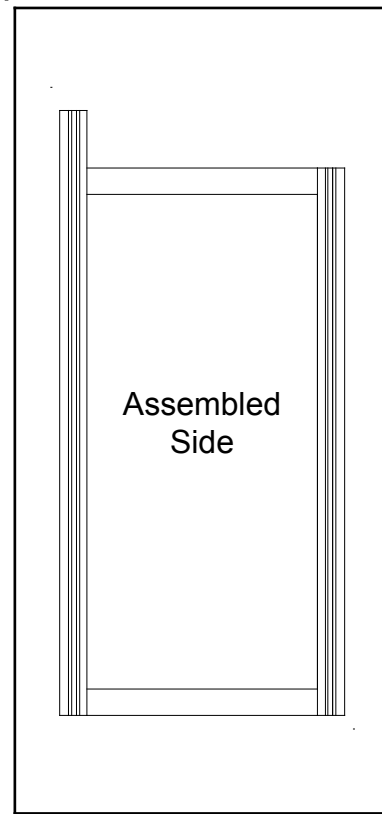
Level 2



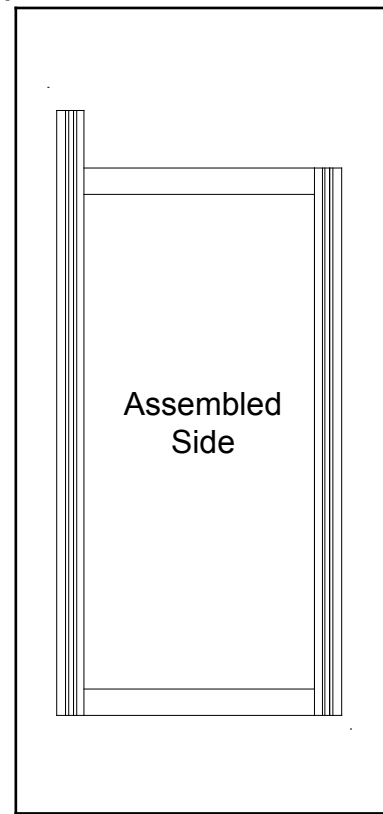
Level 3



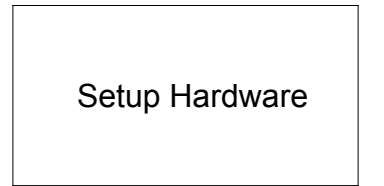
Level 4



Level 5



Level 6



Setup Hardware

Infill